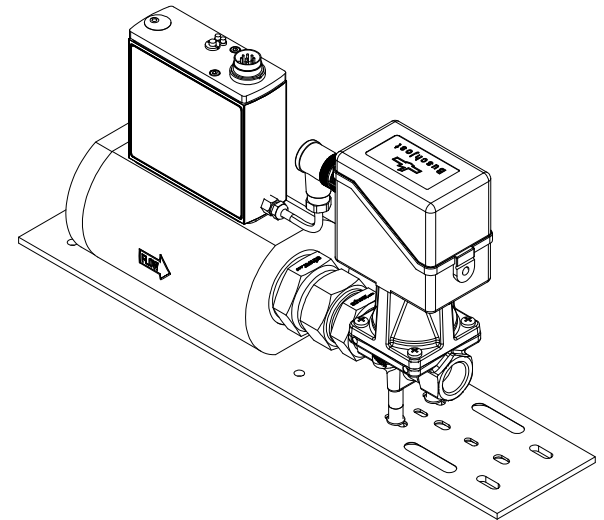
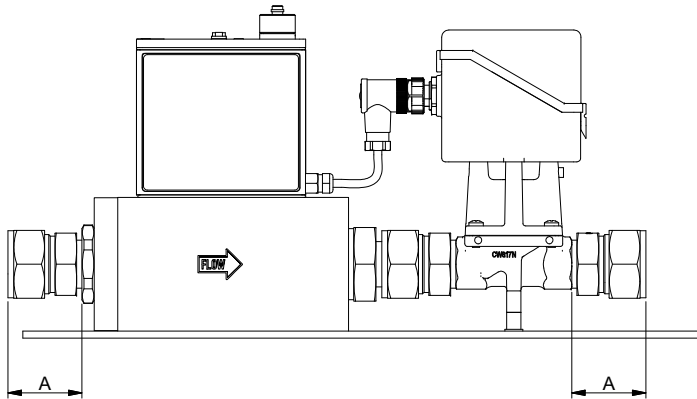


Optional fluidconnections:



Check document 7.14.155 for dimension A.
Check document 7.14.112 for the height of the multibus instrument.
Dimensions subject to change without notice.

Tolerances ± 0.2 unless otherwise mentioned

Title: Dimensional drawing
MASS-STREAM™ D-6483/BJ-1/2"



Projection: Third Angle
Dimensions: Metric (mm)

Drawn by: J.W.
Date: 13-03-2023
Rev. by:
Date:
Checked: V.H./G.T.
Date: 13-03-2023

Revision Description:

Scale: 1 : 3
A3

Drawing no.: 7.14.123

Rev: A

Page: 1 - 1